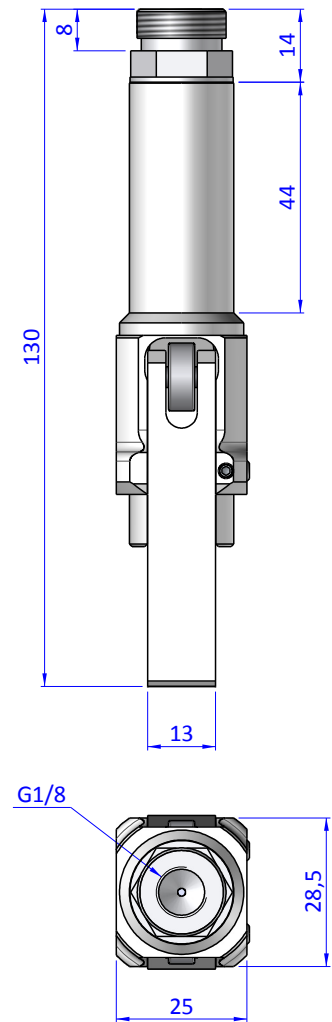
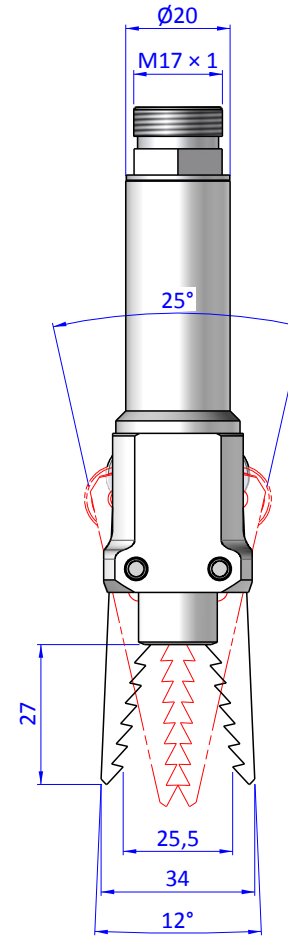
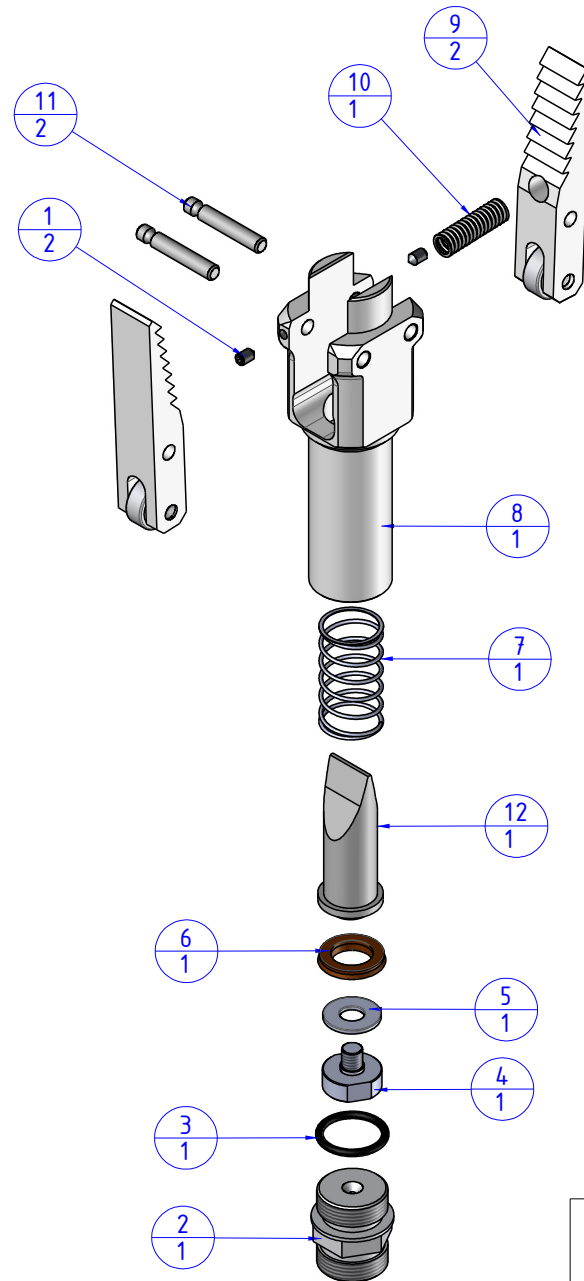


THE PROPERTY OF THE DRAWING IS ESTABLISHED BY LAW. IT IS FORBIDDEN TO PRODUCE OR SHOW IT TO THIRD PARTY, WITHOUT A WRITTEN AGREEMENT.

Item	Name	Qty.
1	V.STM3X5	2
2	GRF20.95.01	1
3	OR.2056	1
4	GRF20.95.03.2	1
5	GRF20.95.10	1
6	PSP.1610255	1
7	M.GRF.2095.1	1
8	PAC.2016.1	1
9	DD.20.169.02	2
10	M.6X35	1
11	PAC.2016.5	2
12	DD.20.05	1



Format A3

UNI 936-76

		DESIGNED FROM	REVIEW
		FP SERVICES	A
GENERAL TOLERANCE	DESCRIPTION	DATE	WEIGHT
UNI - ISO 2768	CA.PAC20.16A	08/03/2019	0,157kg
CLASSE f		CODE	CA.PAC20.169